

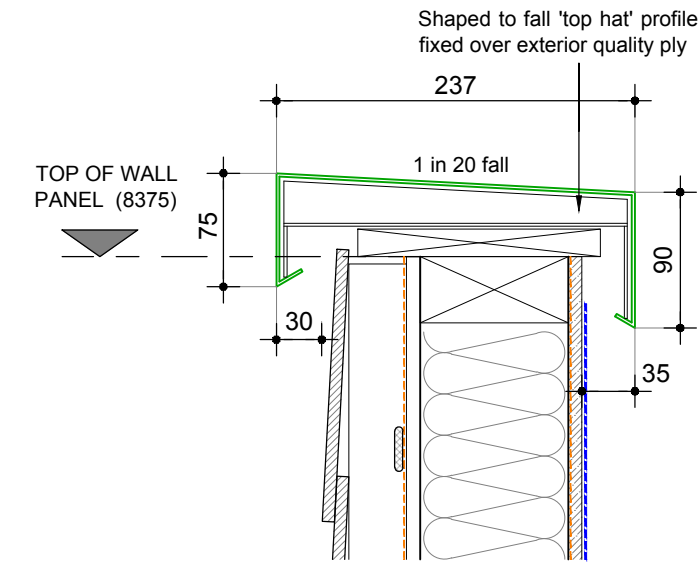
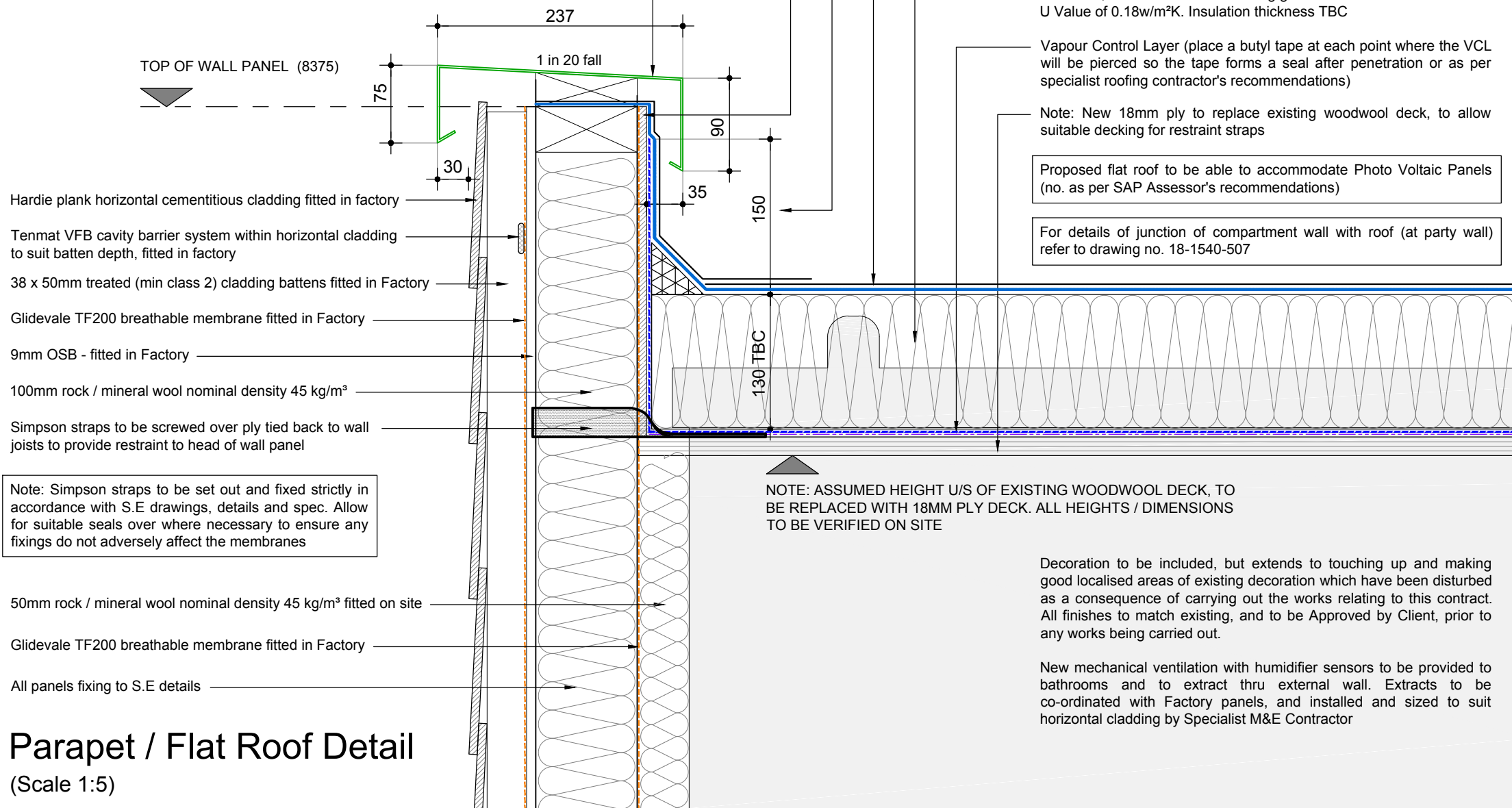
SPECIALIST ROOFING CONTRACTOR TO ENSURE ANY EXISTING SERVICES / SOIL VENT PIPES ARE EXTENDED AS NECESSARY, ALLOWING FOR WATER PROOFING AND FITTING OF ANY SECONDARY WEATHERING COLLARS ETC.

SPECIALIST ROOFING CONTRACTOR TO INSTALL NEW PLY DECKING TO ROOF, VCL, INSULATION AND RE-ROOFING WORKS OVER, AND REPLACE 4NO. EXISTING ROOF LIGHTS WITH NEW TO MATCH EXISTING, ALL IN COMPLIANCE WITH BUILDING REGS.

ROOF SPECIALIST TO ENSURE NEW ROOF LIGHTS MEET BUILDING REGULATION REQUIREMENTS, AND ALLOW THE ROOF TO ACHIEVE THE OVERALL AVERAGE U-VALUE REQUIREMENT IN ACCORDANCE WITH SAP CALCULATIONS. ROOF LIGHTS TO BE TRIPLE SKIN POLYCARBONATE TO MEET BR COMPLIANCE, WITH 150MM UPSTAND (RAISED KERB) TO SPECIALIST DETAILS. SPECIALIST ROOFING CONTRACTOR TO UNDERTAKE WORKS AS NECESSARY TO SEAL / WATERPROOF AROUND THE NEW ROOF LIGHTS.

ALL DIMENSIONS ARE TO BE CHECKED ON SITE PRIOR TO CONSTRUCTION. THE CONTRACTOR IS TO NOTIFY THE DESIGN TEAM OF ANY DISCREPANCY BETWEEN DRAWINGS, SPECIFICATION AND SITE DIMENSIONS. DO NOT SCALE FROM THIS DRAWING.

PLAN LEGEND
 SHADED AREA DENOTES EXISTING STRUCTURE



Alternative capping detail with Top Hat - to Contractor's preference (Scale 1:5)

Note: Simpson straps to be set out and fixed strictly in accordance with S.E drawings, details and spec. Allow for suitable seals over where necessary to ensure any fixings do not adversely affect the membranes

NOTE: ASSUMED HEIGHT U/S OF EXISTING WOODWOOL DECK, TO BE REPLACED WITH 18MM PLY DECK. ALL HEIGHTS / DIMENSIONS TO BE VERIFIED ON SITE

Decoration to be included, but extends to touching up and making good localised areas of existing decoration which have been disturbed as a consequence of carrying out the works relating to this contract. All finishes to match existing, and to be Approved by Client, prior to any works being carried out.

New mechanical ventilation with humidifier sensors to be provided to bathrooms and to extract thru external wall. Extracts to be co-ordinated with Factory panels, and installed and sized to suit horizontal cladding by Specialist M&E Contractor

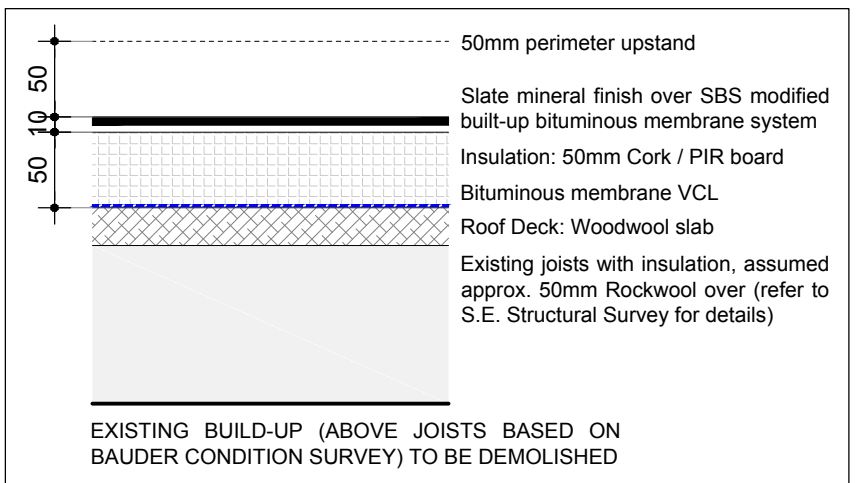
FOR ALL STRUCTURAL DETAILS AND SPECIFICATIONS; REFER TO ADEPT CONSULTING LTD (S.E) DRAWINGS NOS. 4189B SERIES DRAWINGS, LATEST REVISIONS

FOR ALL MECHANICAL AND ELECTRICAL DETAILS & SPECIFICATIONS; REFER TO APPOINTED M&E SPECIALIST SUBCONTRACTOR DRAWINGS / DETAILS

NOTE: FABRICATOR TO CHECK ALL DIMENSIONS AND LEVELS ON SITE PRIOR TO FABRICATION

DRAWING TO BE READ INCONJUNCTION WITH LOCAL HOMES TIMBER PANEL DETAILS

Parapet / Flat Roof Detail (Scale 1:5)



C	Notation revised to confirm replacement of roof lights and mechanical ventilation thru walls	25/09/20	RP
B	Cavity barrier strips indicated	21/09/20	RP
A	Additional information added	22/08/20	RP
rev	note	date	by

indesign.
 part of the **accord group**
 178 Birmingham Road
 West Bromwich
 West Midlands
 B70 6QG
 Tel. 0300 111 7000
 www.accordna.org.uk

client	Accord Group		
project	Black Country Retrofit Wrap and Associated Works 100 - 122 Darlaston Road, Kings Hill, WS10 7SR		
title	Parapet / Flat Roof Detail		
job	dwg no	rev	date
18-1540	506	C	Aug 20 1:5 @ A3 RP