

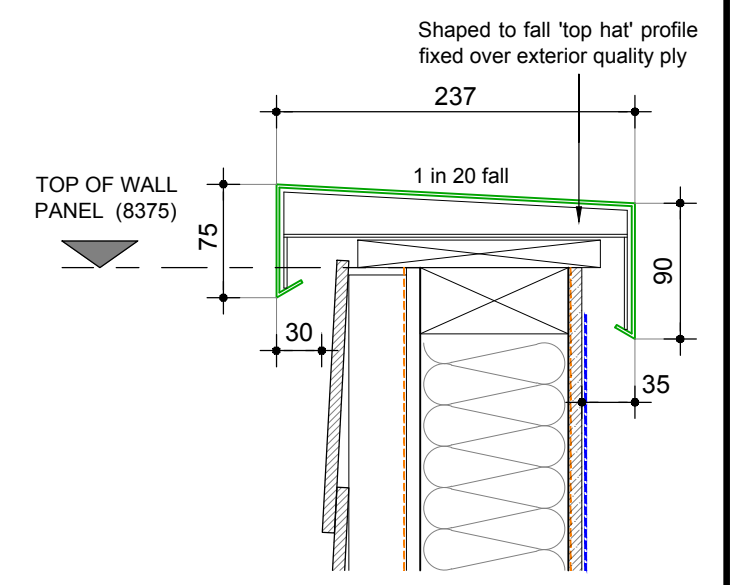
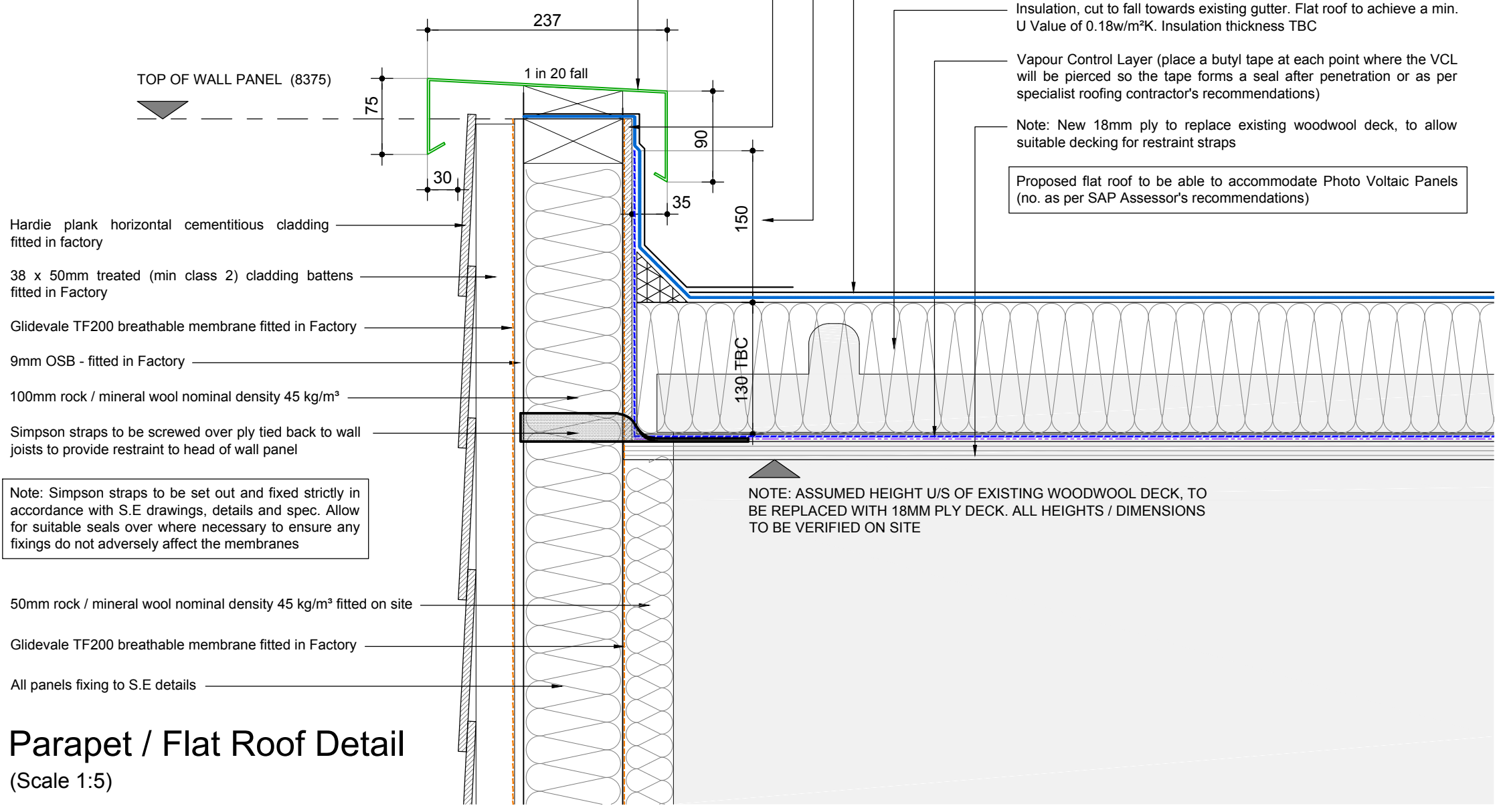
SPECIALIST ROOFING CONTRACTOR TO ENSURE ANY EXISTING SERVICES / SOIL VENT PIPES ARE EXTENDED AS NECESSARY, ALLOWING FOR WATER PROOFING AND FITTING OF ANY SECONDARY WEATHERING COLLARS ETC.

SPECIALIST ROOFING CONTRACTOR TO REMOVE ALL EXISTING ROOFLIGHTS / INSTALL NEW JOISTS IN-FILLS / INSTALL NEW PLY DECKING, VCL AND INSULATED RE-ROOFING WORKS OVER.

NEW MECHANICAL VENTILATION WITH HUMIDIFIER SENSORS TO BE PROVIDED TO BATHROOMS AND TO EXTRACT THROUGH NEW FLAT ROOF VENT. SPECIALIST ROOFING CONTRACTOR TO UNDERTAKE WORKS AS NECESSARY TO ACCOMMODATE AND SEAL / WATERPROOF AROUND THE NEW FLAT ROOF EXTRACTION VENTS.

ALL DIMENSIONS ARE TO BE CHECKED ON SITE PRIOR TO CONSTRUCTION. THE CONTRACTOR IS TO NOTIFY THE DESIGN TEAM OF ANY DISCREPANCY BETWEEN DRAWINGS, SPECIFICATION AND SITE DIMENSIONS. DO NOT SCALE FROM THIS DRAWING.

**PLAN LEGEND**  
 SHADED AREA DENOTES EXISTING STRUCTURE



Alternative capping detail with Top Hat - to Contractor's preference (Scale 1:5)

- Hardie plank horizontal cementitious cladding fitted in factory
- 38 x 50mm treated (min class 2) cladding battens fitted in Factory
- Glidevale TF200 breathable membrane fitted in Factory
- 9mm OSB - fitted in Factory
- 100mm rock / mineral wool nominal density 45 kg/m<sup>3</sup>
- Simpson straps to be screwed over ply tied back to wall joists to provide restraint to head of wall panel

Note: Simpson straps to be set out and fixed strictly in accordance with S.E drawings, details and spec. Allow for suitable seals over where necessary to ensure any fixings do not adversely affect the membranes

- 50mm rock / mineral wool nominal density 45 kg/m<sup>3</sup> fitted on site
- Glidevale TF200 breathable membrane fitted in Factory
- All panels fixing to S.E details

NOTE: ASSUMED HEIGHT U/S OF EXISTING WOODWOOL DECK, TO BE REPLACED WITH 18MM PLY DECK. ALL HEIGHTS / DIMENSIONS TO BE VERIFIED ON SITE

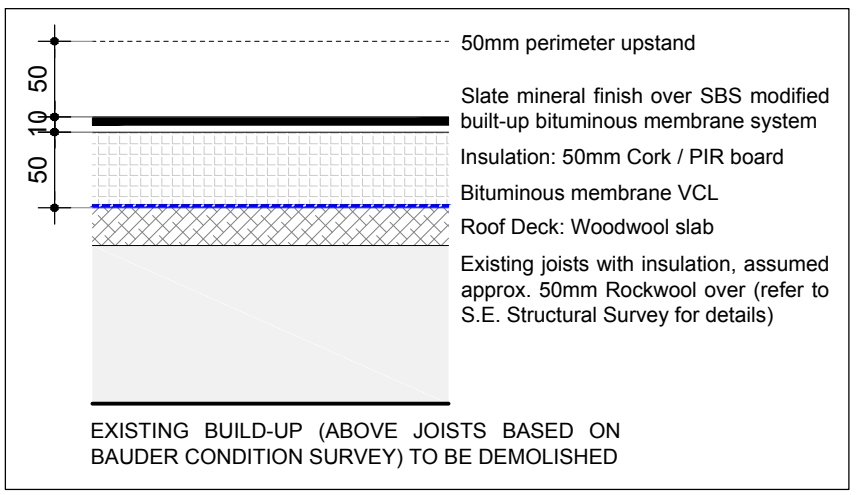
FOR ALL STRUCTURAL DETAILS AND SPECIFICATIONS; REFER TO ADEPT CONSULTING LTD (S.E) DRAWINGS NOS. 4189B SERIES DRAWINGS, LATEST REVISIONS

FOR ALL MECHANICAL AND ELECTRICAL DETAILS & SPECIFICATIONS; REFER TO APPOINTED M&E SPECIALIST SUBCONTRACTOR DRAWINGS / DETAILS

NOTE: FABRICATOR TO CHECK ALL DIMENSIONS AND LEVELS ON SITE PRIOR TO FABRICATION

DRAWING TO BE READ INCONJUNCTION WITH LOCAL HOMES TIMBER PANEL DETAILS

## Parapet / Flat Roof Detail (Scale 1:5)



A Additional information added 22/08/20 RP

rev	note	date	by



178 Birmingham Road  
 West Bromwich  
 West Midlands  
 B70 6QG  
 Tel. 0300 111 7000  
 www.accordna.org.uk

client  
 Accord Group

project  
 Black Country Retrofit Wrap and Associated Works  
 100 - 122 Darlaston Road, Kings Hill, WS10 7SR

title  
 Parapet / Flat Roof Detail

job	dwg no	rev	date	Aug 20
18-1540	506	A	scale drawn	1:5 @ A3 RP